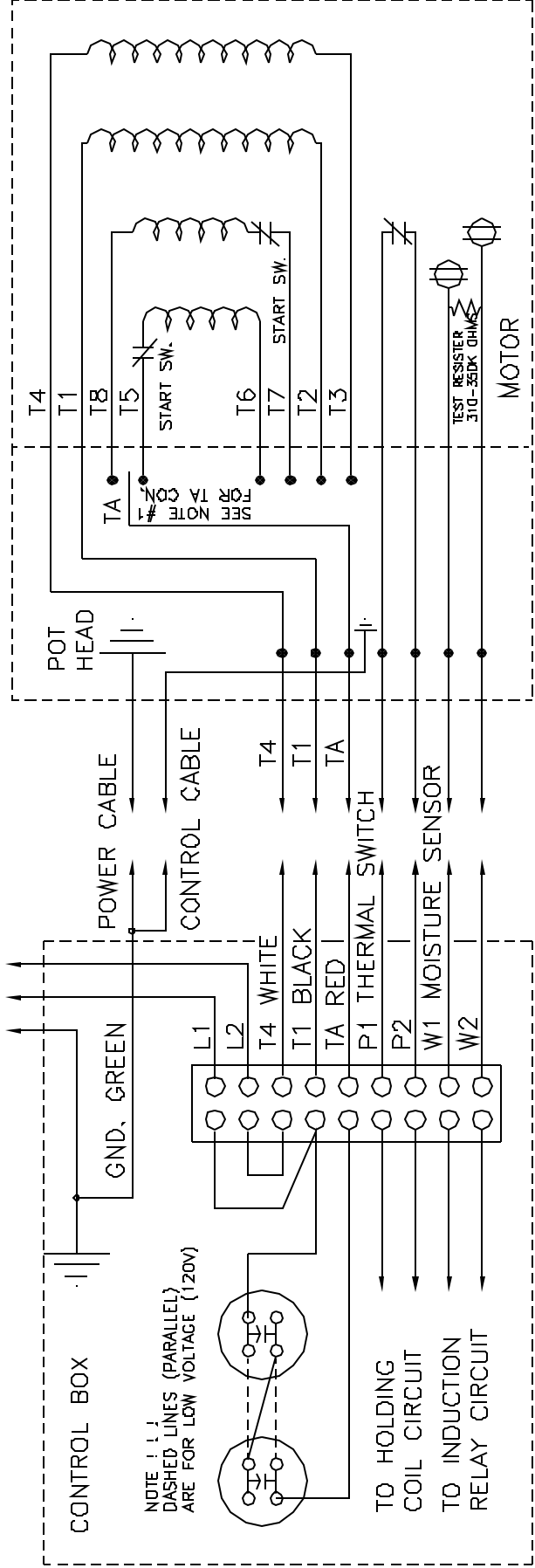


1-1.5-2&3 HP 120 & 240V/1Ø

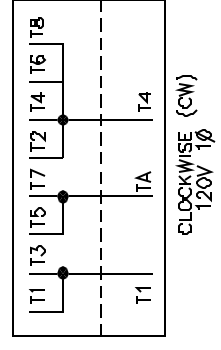
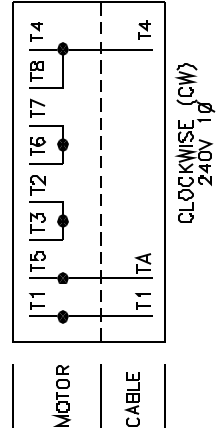
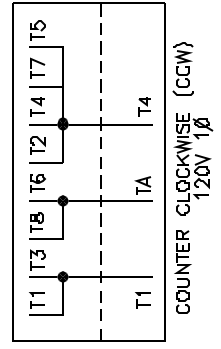
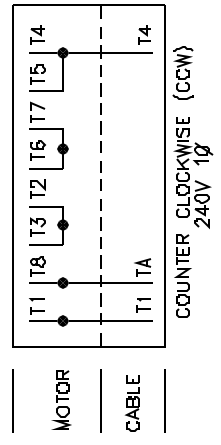
TO STARTER



NOTE: L1, L2, T4, T1, TA
DASHED LINES (PARALLEL)
ARE FOR LOW VOLTAGE (120V)

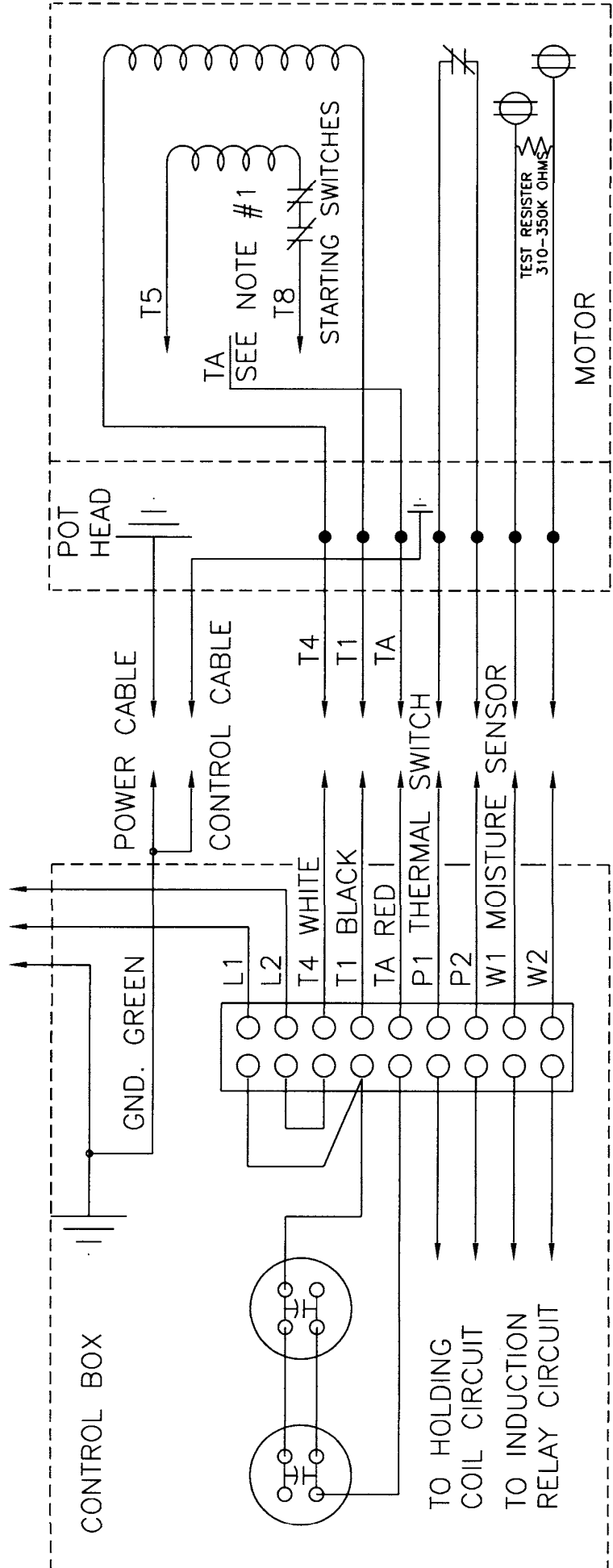
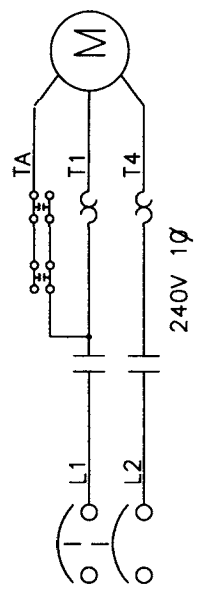
- TO HOLDING COIL CIRCUIT
- TO INDUCTION RELAY CIRCUIT
- TO THERMAL SWITCH
- TO MOISTURE SENSOR

NOTE 1: CONNECT TA FOR DESIRED ROTATION SEE DIAGRAM



5 HP 240V 1Ø ONLY

TO STARTER



NOTE 1: CONNECT TA FOR DESIRED ROTATION SEE DIAGRAM

